

0532 SERIES



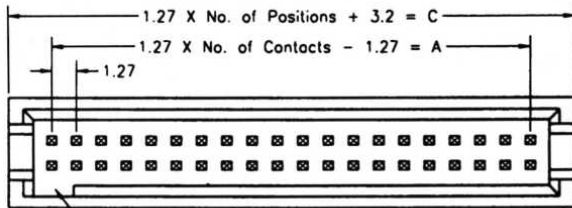
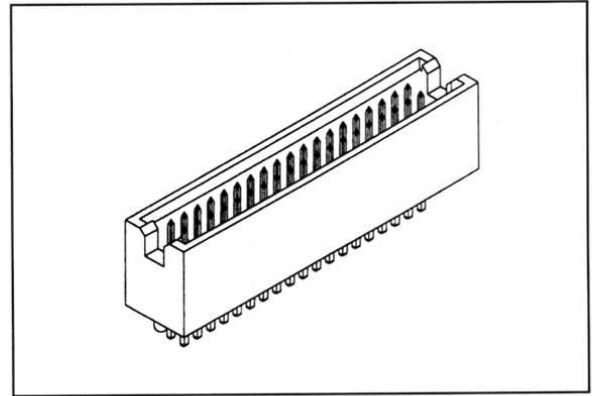
1.27x1.27mm(0.05"x0.05"), Box Header, 7.3mm Height

Specifications

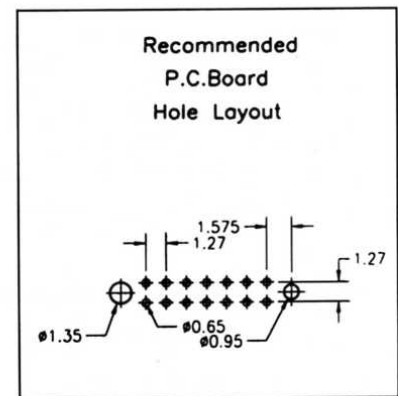
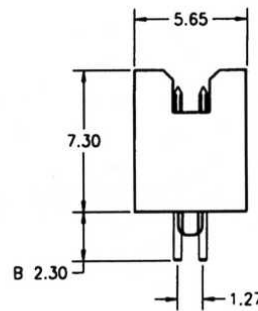
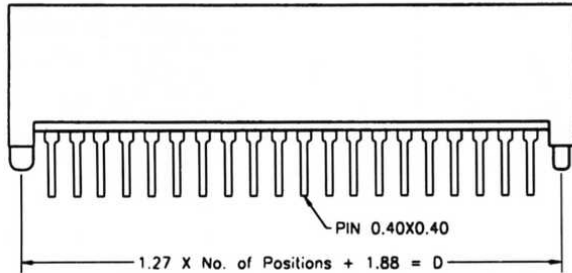
Current Rating: 1Ampere
 Insulation Resistance: 500MΩ Min.
 Dielectric Withstanding: 300V AC
 Contact Resistance: 20mΩ Max.
 Operating Temperature: -40°C to +105°C

Materials

Contact Material: Phosphor Bronze
 Contact Plating: Gold/Tin over Nickel
 Insulator: Glass Filled Polyester (UL 94V-0)



The Polarization And The Big Post Will Be The Same Side.
 防呆孔與大導柱同邊



No. of PIN/ROW	Dimension Information			No. of PIN/ROW	Dimension Information			No. of PIN/ROW	Dimension Information			No. of PIN/ROW	Dimension Information		
	A	C	D		A	C	D		A	C	D		A	C	D
05	5.08	9.55	8.23	19	22.86	27.33	26.01	33	40.64	45.11	43.79	47	58.42	62.89	61.57
06	6.35	10.82	9.50	20	24.13	28.60	27.28	34	41.91	46.38	45.06	48	59.69	64.16	62.84
07	7.62	12.09	10.77	21	25.40	29.87	28.55	35	43.18	47.65	46.33	49	60.96	65.43	64.11
08	8.89	13.36	12.04	22	26.67	31.14	29.82	36	44.45	48.92	47.60	50	62.23	66.70	65.38
09	10.16	14.63	13.31	23	27.94	32.41	31.09	37	45.72	50.19	48.87	51	63.50	67.97	66.65
10	11.43	15.90	14.58	24	29.21	33.68	32.36	38	46.99	51.46	50.14	52	64.77	69.24	67.92
11	12.70	17.17	15.85	25	30.48	34.95	33.63	39	48.26	52.73	51.41	53	66.04	70.51	69.19
12	13.97	18.44	17.12	26	31.75	36.22	34.90	40	49.53	54.00	52.68	54	67.31	71.78	70.46
13	15.24	19.71	18.39	27	33.02	37.49	36.17	41	50.80	55.27	53.95	55	68.58	73.05	71.73
14	16.51	20.98	19.66	28	34.29	38.76	37.44	42	52.07	56.54	55.22	56	69.85	74.32	73.00
15	17.78	22.25	20.93	29	35.56	40.03	38.71	43	53.34	57.81	56.49	57	71.12	75.59	74.27
16	19.05	23.52	22.20	30	36.83	41.30	39.98	44	54.61	59.08	57.76	58	72.39	76.86	75.54
17	20.32	24.79	23.47	31	38.10	42.57	41.25	45	55.88	60.35	59.03	59	73.66	78.13	76.81
18	21.59	26.06	24.74	32	39.37	43.84	42.52	46	57.15	61.62	60.30	60	74.93	79.40	78.08

Ordering Information

0532 - X 0 1 - X X X

- 1: Tin
- 2: Gold
- 3: Half Gold

Position

- 3: 大小柱
- 4: 無導柱
- 5: 鐵耳